

Current part is item (19) on diagram. Available at www.oshkoshequipment.com

(1)	(2)	(3)	(4)	(5)	(6)				(7)			(8)			(9)	(10)	
SMR	FEDERAL	DESCRIPTION	UNIT	QTY	15-DAY ORGANIZATION				30-DAY DS			30-DAY GS			1-YR. ALW	ILLUSTRATION	
CODE	STOCK		OF	INC	MAINTENANCE				MAINTENANCE			MAINTENANCE			PER 100	(A)	(B)
	NUMBER		MEAS	IN	ALLOWANCE				ALLOWANCE			ALLOWANCE			EQUIP	(A)	(B)
		REFERENCE NUMBER & MFR CODE	USABLE ON CODE	UNIT	(A)	(B)	(C)	(D)	(A)	(B)	(C)	(A)	(B)	(C)	PLANNING	FIG	ITEM
					1-5	6-20	21-50	51-100	1-20	21-50	51-100	1-20	21-50	51-100	NO	NO	NO
PAOZZ	5310-353-2297	NUT, PLAIN OCTAGON: WHEEL BRG ADJ 7979308 (19207)	EA	4	*	*	*	*	*	*	*	*	*	*	26	9	
PAOZZ	3110-100-0649	CONE, TAPERED ROLLER BRG: MIL-STD- CODE 711-00596-3000 (INCLUDES ROLLERS & CAGE, AGLE ROW, 3.3750 BORE, 1.4300 W)(OUTER WHEEL BRG) 705155 (12742)	EA	4	*	*	*	*	*	*	*	*	*	*	26	10	
PAOZZ	3110-198-1468	CONE, TAPERED ROLLER BRG: MIL-STD- CODE 711-00593-3011 (INCLUDES ROLLERS & CAGE, AGLE-ROW, 3.5000 BORE, 1.4300 W)(INNER WHEEL BRG) 712286 (21450)	EA	4	*	*	*	*	*	*	*	*	*	*	26	11	
PAOZZ	5310-880-7745	NUT, PLAIN, HEX: 7/16-20NF-3 MS51968-11 (96906)	EA	40	*	*	*	*	*	*	*	*	*	*	26	12	
PAOZZ	5310-209-0965	WASHER, LOCK, SPLIT: 7/16 ID MS35338-47 (96906)	EA	40	*	*	*	*	*	*	*	*	*	*	26	13	
PAOZZ	2530-211-6129	COVER: INSPECTION HOLE 7409393 (19207)	EA	4	*	*	*	*	*	*	*	*	*	*	26	14	
PAOZZ	5306-740-9389	BOLT, RIBBED SHOULDER, HEX HD: 7/16- 20UNF-2A X 1-7/8 7409389 (19207)	EA	40	*	*	*	*	*	*	*	*	*	*	26	15	
PAOFZ	2530-093-5597	DRUM, BRAKE 7409394 (19207)	EA	4	*	*	*	*	*	*	*	*	*	*	26	16	
PAOZZ	5306-733-9239	BOLT, RIBBED: WHEEL HUB, RIVETED, TYPE, 3/4- 16NF X 2-15/32 (LEFT) 7339239 (19207)	EA	20	*	*	*	*	*	*	*	*	*	*	26	17	
PAOZZ	5306-383-4957	BOLT, RIBBED: WHEEL HUB, RIVETED TYPE, 3/4-16NF X 2-15/32 (RIGHT) 7339238 (19207)	EA	20	*	*	*	*	*	*	*	*	*	*	26	17	
PAOZZ	2530-404-4440	ADAPTER, BRAKE DRUM 8710724 (19207)	EA	4	*	*	*	*	*	*	*	*	*	*	26	18	
PAOZZ	3110-142-4390	CUP, TAPERED ROLLER BRG: MIL-STD- CODE 711-00592-1011 706691 (12742)	EA	8	*	*	*	*	*	*	*	*	*	*	26	19	
PAOZZ	2530-751-8887	HUB, WHEEL 8710723 (19207)	EA	4	*	*	*	*	*	*	*	*	*	*	26	20	
PAOZZ	3110-100-4223	BEARING, ROLLER, TAPERED: OUTER HUB BRG ASSY 703077 (21450)	EA	4	*	*	*	*	*	*	*	*	*	*	26	21	
PAOZZ	3110-100-4220	BEARING, ROLLER, TAPERED: INNER HUB BRG ASSY MS19081-137 (96906)	EA	4	*	*	*	*	*	*	*	*	*	*	26	22	
PAOZZ	2520-740-9550	SEAL, PLAIN ENCASED: HUB BRG OIL 7409550 (19207)	EA	4	*	*	*	*	*	*	*	*	*	*	26	23	

Oshkosh
Equipment Sales

Current part is item (19) on diagram. Available at www.oshkoshequipment.com

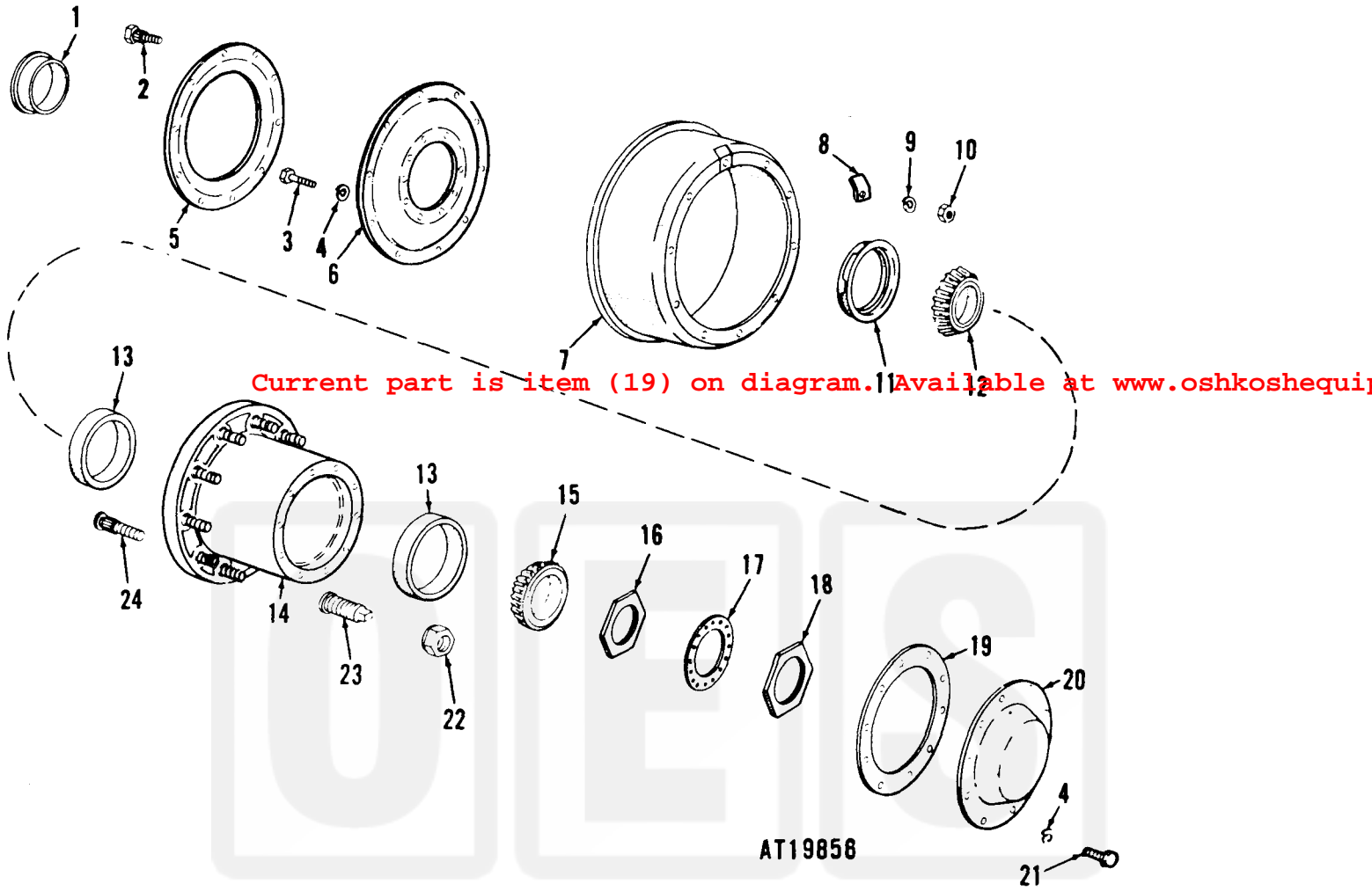


Figure 25. Hub and drum assembly—M269, M270.

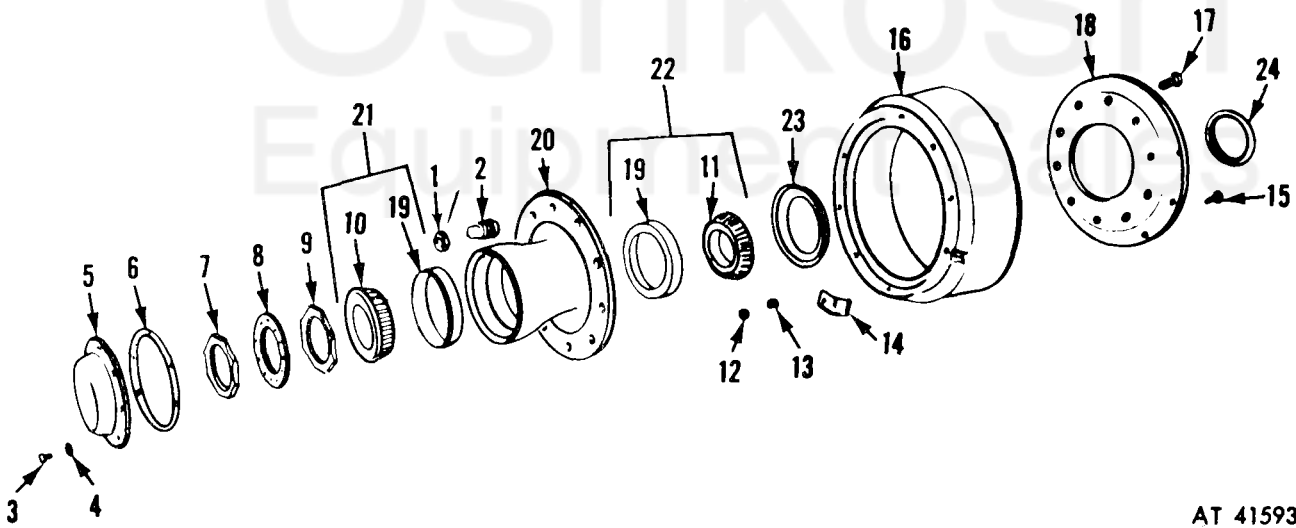


Figure 26. Hub and drum assembly—269A1, M270A1.